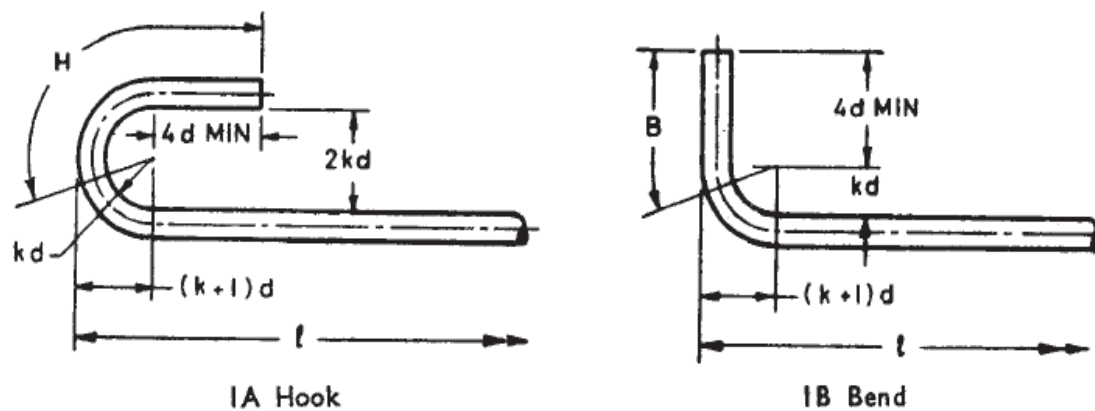


IS : 2502 - 1963



NOTE 2 —  $H$  and  $B$  refer to hook allowance and bend allowance respectively (see Table II).

FIG. 1 STANDARD HOOK AND BEND